

Features and Benefits

American Cooling Tower Solutions

Design Features:

The non-rusting FRP casing and basin and circular shape make the American Chillers cooling tower both compact and lightweight, eliminating special installation requirements. Prevailing wind directions will not affect tower performance, due to its unique design.

Casing:

Easy access through casing simplifies cleaning. Individual fiberglass panels are stainless steel bolted together for periodic wash down and general clean up. The American Chillers FRP cooling tower is designed for durability and long life even under the most severe environmental weather conditions.

Fan Blades:

Aerodynamically designed propeller type fan blades are used to conserve power and assure quiet operations. American Chillers models ACTS-5 through ACTS-30 feature a factory balanced ABS plastic blade. Models ACTS-40 and above feature an all aluminum alloy adjustable fan.

Fan Drive:

American Chillers models ACTS-5 through ACTS-200 have direct drive fan motors. Models ACTS-225 and larger feature a unique belt drive, designed to reduce noise levels, with optional gear drives.

Water Distribution System:

American Chillers models ACTS-5 through ACTS-60 use an ABS plastic sprinkler with stainless steel shaft. Models ACTS-70 and above use an aluminum alloy sprinkler head. Both types of sprinkler head require little or no head pressure loss and minimum maintenance.

Inlet Louvers:

Non-rusting PVC plastic mesh provides easy access to sump while preventing foreign objects from entering water basin.

Ladder:

Provided for maintenance and inspection accessibility to fan and sprinkler systems. (Models ACTS-40 and above.)

Fill Material:

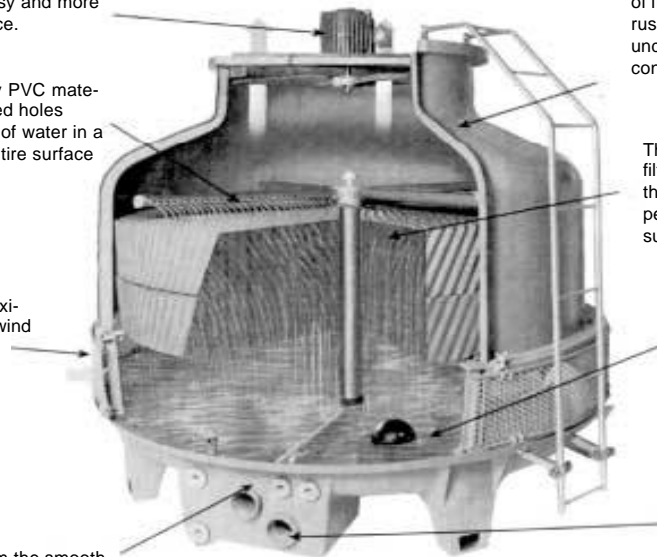
Honeycomb heat-embossed PVC is formed to permit high heat transfer efficiency. The American Chillers fill is suitable for operation with inlet water temperatures of 125° F. For higher temperatures, contact your representative for quote.

The fan motor is weatherproofed and totally enclosed allowing for less noisy and more efficient long-term performance.

The sprinkler pipes are sturdy PVC material pierced with closely spaced holes allowing thorough distribution of water in a rotating spray covering the entire surface of the filter.

The round design permits maximum air intake regardless of wind direction.

Efficient operation results from the smooth pumping of re-circulated water through the stand pipe and up into the sprinkler pipes.

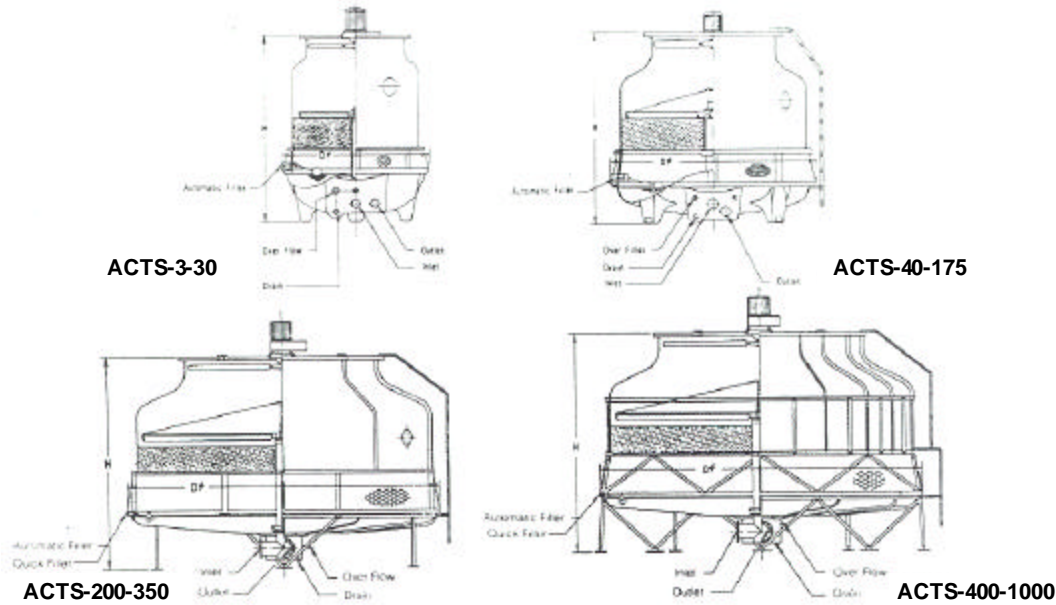


Housing panels and water basin are built of fiberglass-reinforced plastic ensuring rust-free long-term performance even under the most severe environmental conditions.

The efficiently designed PVC filter creates a surface area that allows for maximum dispersion of water and creates a superior cooling effect.

A large-capacity, durable water basin constructed from rustproof fiberglass reinforced plastic guarantees low maintenance and long-term operation.

A large diameter outlet pipe draws a constant supply of cooled water from the basin to served the facility.

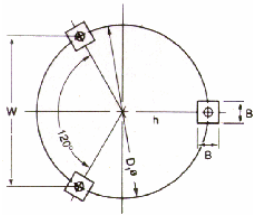


Model No.	Dimensions (In.)		Piping Connections (In.)						Fan Motor H.P.	Fan Dia. (Inch)	Air Flow (cfm)	³ Water Flow (gpm)
	Height	Dia.	In	Out	O	Dr	Float	Q				
ACTS-5	52	34	1-1/2	1-1/2	1	3/4	1/2	-	1/6*	19 1/2	2,118	15
ACTS-8	56	34	1-1/2	1-1/2	1	3/4	1/2	-	1/6*	19 1/2	2,648	23
ACTS-10	54	42	1-1/2	1-1/2	1	3/4	1/2	-	1/4*	26 3/8	3,531	30
ACTS-15	59	46	2	2	1	1	1/2	-	1/4*	26 3/8	4,767	44
ACTS-20	63	55	2	2	1	1	1/2	-	1/2 ¹	30 1/4	6,356	58
ACTS-25	71	55	2-1/2	2-1/2	1	1	1/2	-	3/4 ²	30 1/4	7,000	73
ACTS-30	69	62	2-1/2	2-1/2	1	1	1/2	-	1.0 ²	30 1/4	8,100	88
ACTS-40	75	72	2-1/2	2-1/2	1	1	3/4	-	1-1/2 ²	38 1/4	9,800	118
ACTS-50	75	79	3	3	1	1	3/4	-	1-1/2 ²	38 1/4	11,500	148
ACTS-60	75	79	3	3	1	1	3/4	-	1-1/2 ²	46	14,700	177
ACTS-70	80	86	4	4	1	1	3/4	-	1-1/2 ²	46	17,500	207
ACTS-80	80	86	4	4	1	1	3/4	-	2 ²	46	18,900	237
ACTS-100	87	120	4	4	1	1	1	-	3 ²	57 7/8	24,500	295
ACTS-125	90	130	5	5	2	1	1	-	3 ²	57 7/8	29,060	369
ACTS-150	98	130	6	6	2	2	1	-	5 ²	68 7/8	33,260	446
ACTS-175	98	130	5	5	2	2	1	-	5 ²	68 7/8	40,250	518
ACTS-200	118	149	6	6	2	2	1 1/4	1-1/4	5 ²	68 7/8	43,760	592
ACTS-225	125 5/8	148 3/8	6	6	2	2	1 1/4	1 1/4	7 1/2 ³	93	61,270	656
ACTS-250	125 5/8	148 3/8	8	8	2	2	1 1/4	1 1/4	7 1/2 ³	93	61,270	737
ACTS-300	131 7/8	174 3/4	8	8	2	2	1 1/4	1 1/4	10 ³	93	77,020	883
ACTS-350	133 1/2	188 5/8	8	8	2	2	1 1/4	1 1/4	10 ³	93	77,020	1036
ACTS-400	153 1/2	203 7/8	8	8	4	2	2	2	15 ³	117	91,030	1190
ACTS-500	154 11/16	219 5/8	10	10	4	2	2	2	15 ³	117	91,030	1505
ACTS-600	171 5/8	259 7/8	10	10	4	2	2	2	20 ³	133 1/8	125,000	1777
ACTS-700	181 5/16	259 7/8	10	10	4	2	2	2	20 ³	133 1/8	125,000	2101
ACTS-800	194 11/16	299 1/4	12	12	4	3	2	2	30 ³	141	175,000	2370
ACTS-1000	202 1/2	299 1/4	12	12	4	3	2	2	30 ³	141	175,000	3011

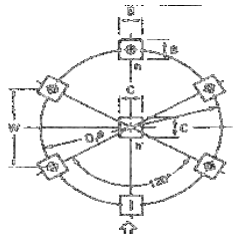
Electrical Specifications: * 110/220/1/60 or 220/3/60; ¹ 110/220/1/60 or 220/440/3/60; ² 220/440/3/60. 208-230-460/3/60 available for 3/4 h.p. and larger; 50 hz available as special order; ³Nominal flow is water cooled from 95 to 85 @ 75 WB.

Physical Dimensions and Weights

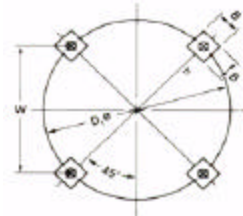
American Cooling Tower Solutions



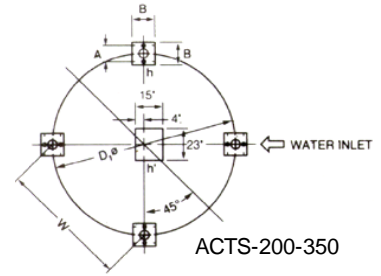
ACTS-3-25



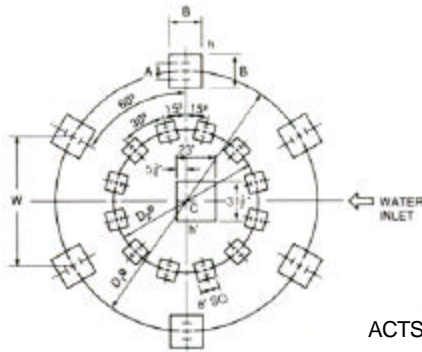
ACTS-70-175



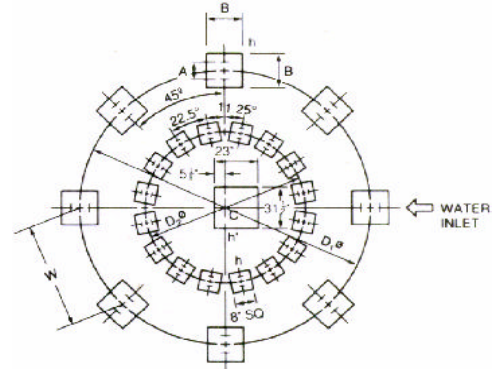
ACTS-30-60



ACTS-200-350



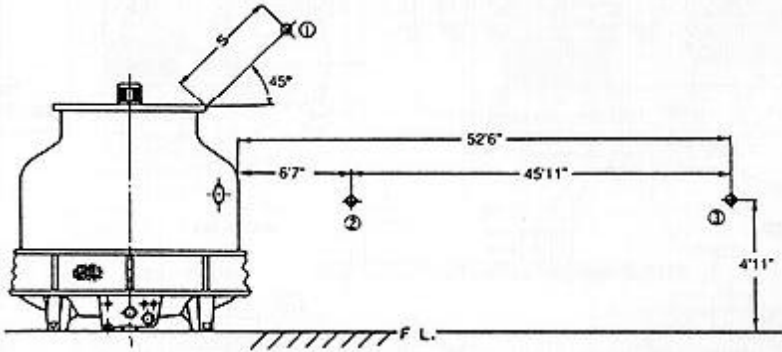
ACTS-400-500



ACTS-600-1000

Model No. (Tons)	Weights (lbs)		Dimensions (ins)							Anchor Size		Pump Head
	Dry Wt.	Wet Wt.	D1	W	B	A	h	h'	C	Size (ins)	Length (ins)	
ACTS-5	86	251	21-5/8	18 3/4	8	-	6		-	1/2	4 3/4	5.0
ACTS-8	93	262	21 5/8	18 3/4	8	-	6		-	1/2	4 3/4	5.0
ACTS-10	123	443	29 1/2	25 5/8	8	-	6		-	1/2	4 3/4	5.0
ACTS-15	139	536	34 5/8	30	8	-	6		-	1/2	4 3/4	5.3
ACTS-20	190	719	44	38 1/4	8	-	6		-	1/2	4 3/4	5.6
ACTS-25	227	887	44	38 1/4	8	-	6		-	1/2	4 3/4	5.6
ACTS-30	253	1074	52 1/2	37	8	-	6		-	1/2	4 3/4	6.0
ACTS-40	369	1133	57 7/8	40 7/8	10	-	8		-	1/2	4 3/4	6.6
ACTS-50	435	1313	66 1/8	46 3/4	10	-	8		-	1/2	3 3/4	6.6
ACTS-60	504	1472	66 1/8	46 3/4	10	-	8		-	1/2	4 3/4	6.6
ACTS-70	610	1555	69 3/8	34 1/2	10	-	8	9 1/2	10	1/2	4 3/4	6.6
ACTS-80	642	1588	69 3/8	34 1/2	10	-	8	9 1/2	10	1/2	4 3/4	6.6
ACTS-100	887	2361	92 1/2	46 1/4	12	-	12	14	12	5/8	8	8.2
ACTS-125	1025	2983	103 1/8	51 1/2	12	-	12	14	12	5/8	8	10.0
ACTS-150	1375	5731	112 1/2	56 1/4	12	-	12	13 1/2	16	5/8	8	10.0
ACTS-175	1569	5887	112 1/2	56 1/4	12	-	12	13 1/2	16	5/8	8	11.0
ACTS-200	1914	7612	132	93 3/8	12	5 1/8	12	16	23	5/8	8	11.0
ACTS-225	2112	7744	132	93 3/8	12	5 1/8	12	16	23	5/8	8	11.0
ACTS-250	2266	7854	132	93 3/8	12	5 1/8	12	16	23	5/8	8	12.0
ACTS-300	2823	9995	156 1/8	110 3/8	12	5 1/2	12	16	23	5/8	8	12.0
ACTS-350	2996	10164	169 1/8	119 5/8	12	5 1/2	12	16	23	5/8	8	13.2
ACTS-400	4776	14984	200 3/4	100 3/8	20	5 1/2	12	16	31 1/2	3/4	8	13.2
ACTS-500	5342	15550	216 1/2	108 1/4	20	5 1/2	12	16	31 1/2	3/4	8	13.2
ACTS-600	7401	23637	255 1/8	97 5/8	20	5 1/2	12	16	31 1/2	3/4	8	16.4
ACTS-700	7848	24127	255 1/8	97 5/8	20	5 1/2	12	16	31 1/2	3/4	8	18.2
ACTS-800	9636	26356	295 1/4	113	20	5 1/2	12	16	31 1/2	3/4	8	20.0
ACTS-1000	10199	27359	295 1/4	113	20	5 1/2	12	16	31 1/2	3/4	8	20.0

SOUND PRESSURE LEVELS OF COOLING TOWERS
LEVEL OF MEASUREMENT: db



NOTE: THE ACCURACY OF MEASURING VALUE IS ±3 DECIBELS

REMARKS:

1. POINT 1 IS 45° EXTENSION OF FAN DISCHARGE.
2. DISTANCE "S":
 (1) T MODELS 2125 & LOWER - 4'11"
 (2) T MODELS 2150 & ABOVE - FAN DIAMETER

TOWER MODELS	ACTS-5			ACTS-8			ACTS-10			ACTS-15			ACTS-20			ACTS-25			ACTS-30		
MEASURING PT.	1	2	3	1	2	3	1	2	3	1	2	3	1	2	3	1	2	3	1	2	3
SCALE A	62	59	48	63	58	47.5	64	59	48.5	69	66	53	69	66	53	70	67	57	73	67	59
TOWER MODELS	ACTS-40			ACTS-50			ACTS-60			ACTS-70			ACTS-80			ACTS-100			ACTS-125		
MEASURING PT.	1	2	3	1	2	3	1	2	3	1	2	3	1	2	3	1	2	3	1	2	3
SCALE A	77	70	59	77	70	59	79	73	64	81	75	66	82	76	67	79	71	60	84	74	64
TOWER MODELS	ACTS-150			ACTS-175			ACTS-200			ACTS-225			ACTS-250			ACTS-300			ACTS-350		
MEASURING PT.	1	2	3	1	2	3	1	2	3	1	2	3	1	2	3	1	2	3	1	2	3
SCALE A	77	71	62	80	75	65	79	73	63	76	71	62	76	71	62	77	72	63	77	72	63
TOWER MODELS	ACTS-400			ACTS-500			ACTS-600			ACTS-700			ACTS-800			ACTS-1000					
MEASURING PT.	1	2	3	1	2	3	1	2	3	1	2	3	1	2	3	1	2	3	1	2	3
SCALE A	80	75	65	80	75	66	78	73	64	78	73	64	79	74	65	80	75	66			

	90°F	90°F	95°F	92°F	95°F	97°F	95°F	95°F	96°F	98°F	90°F	94°F	Model
Hot Water	90°F	90°F	95°F	92°F	95°F	97°F	95°F	95°F	96°F	98°F	90°F	94°F	
Cold Water	80°F	80°F	85°F	82°F	85°F	87°F	85°F	85°F	86°F	88°F	83°F	85°F	
Wet Bulb	65°F	70°F	70°F	72°F	75°F	75°F	77°F	78°F	80°F	82°F	75°F	75°F	
FLOW GPM	17	12	20	13	15	18	12	11	10	11	15	16	ACTS-5
	27	20	32	21	23	29	20	18	16	17	25	26	ACTS-8
	34	25	39	27	30	35	25	23	20	23	31	32	ACTS-10
	51	37	60	40	44	54	37	33	31	33	46	48	ACTS-15
	68	49	80	53	58	72	49	45	41	44	62	64	ACTS-20
	85	62	97	66	73	90	62	56	52	56	77	79	ACTS-25
	101	75	119	80	88	108	75	68	63	68	93	96	ACTS-30
	134	100	156	106	118	142	101	92	85	91	124	128	ACTS-40
	168	127	195	134	148	178	127	116	108	115	155	159	ACTS-50
	201	150	224	160	177	211	151	138	128	137	185	191	ACTS-60
	236	176	262	188	207	251	176	160	150	160	218	224	ACTS-70
	268	203	308	215	237	253	203	185	173	184	248	256	ACTS-80
	335	250	382	266	295	356	252	230	213	228	309	319	ACTS-100
	420	316	480	235	369	446	316	289	270	289	388	400	ACTS-125
	504	383	574	405	446	534	383	353	328	350	466	479	ACTS-150
	588	441	676	471	518	611	444	407	377	404	541	558	ACTS-175
	669	509	774	542	592	712	512	469	440	469	621	640	ACTS-200
	757	559	885	595	656	803	559	503	468	503	696	717	ACTS-225
	838	625	970	666	737	889	630	574	533	569	772	798	ACTS-250
	1011	775	1175	800	883	1075	755	685	634	678	934	960	ACTS-300
1176	889	1340	946	1036	1240	895	818	767	818	1087	1119	ACTS-350	
1349	1023	1540	1084	1190	1420	1023	930	871	932	1240	1278	ACTS-400	
1657	1301	1885	1377	1505	1763	1324	1226	1157	1233	1551	1604	ACTS-500	
2006	1526	2322	1625	1777	2137	1537	1406	1319	1406	1864	1919	ACTS-600	
2317	1819	2640	1928	2101	2469	1841	1700	1641	1711	2177	2242	ACTS-700	
2675	2035	3096	2166	2370	2849	2050	1875	1759	1875	2486	2559	ACTS-800	
3303	2616	3760	2762	3011	3300	2660	2484	2353	2499	3098	3201	ACTS-1000	